



PORTAGANTRY RAPIDE®

This product is patented

REIDLIFTING.COM

Our unique and innovative **PORTAGANTRY^{RAPIDE}** is a height-adjustable, foldable aluminium gantry designed for rapid deployment. Capable of an impressive load lifting capacity of up to 1000Kg. This system can be assembled and disassembled by just one person within a minute without the need for any tools. The **PORTAGANTRY^{RAPIDE}** is the perfect solution for Confined Space Access scenarios due to its unique features and ability to lift equipment and personnel.

Key features

- › EN795:2012 Certified
- › ATEX Certified
- › Can support goods and personnel lifting;
 - › Goods WLL of up to 1000kg
 - › Personnel WLL of up to 500kg
- › Suitable for up to 3 persons for fall protection applications
- › Integrated wheel design that folds with the frame for ease of transportation
- › Available in 3 height-adjustable versions (up to 2.9m to the lifting eye)
- › Can accommodate a range of beam lengths up to 4m
- › Anodised for increased corrosion resistance
- › Engineered designs and bespoke sections reduce weight, providing lightweight portability

Configurations

The **PORTAGANTRY^{RAPIDE}** is available in a range of configurations and can be customised in line with specific requirements (subject to WLL rating).



**250-1000KG
WLL**



**1-2 PERSON
ASSEMBLY**



**33-45KG
COMPACT
STORAGE**



**EN795
CERTIFIED**



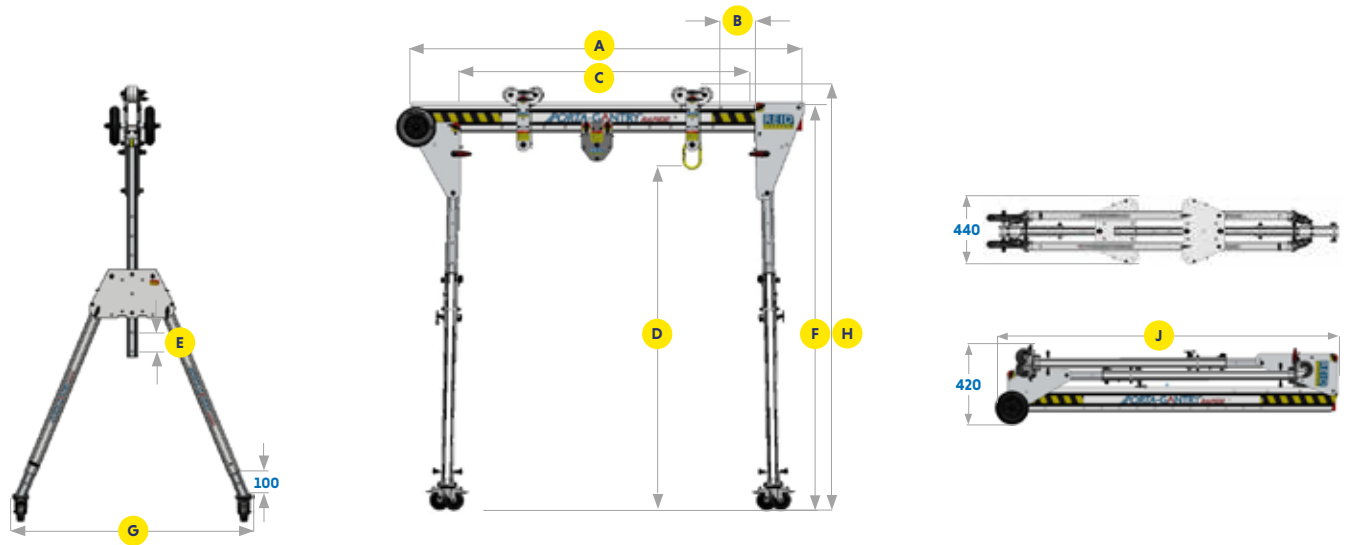
**ATEX
CERTIFIED**

Features & Performance

| | PGR500 | PGR1000 |
|---|----------|----------|
| Accreditations, Certifications & Standards | | |
| EN795:2012 | ✓ | ✓ |
| PD CEN / TS16415:2013 | ✓ | ✓ |
| ANSI Z359.18-17 | ✓ | ✓ |
| AS/NZS 5532:2013 | ✓ | ✓ |
| ATEX Certified [Zone 2] | ✓ | ✓ |
| ATEX Certified [Zone 1] | Optional | Optional |
| IRATA | ✓ | ✓ |
| Capacity | | |
| Max Goods Lifting (kg) | 500 | 1000 |
| Max Personnel Lifting (kg) | 250 | 500 |
| Fall Arrest (Persons) | 3 | 3 |
| Dimensions | | |
| Min Height of Lift (HOL) (mm) | 1450 | 1430 |
| Max Height of Lift (HOL) (mm) | 2920 | 2880 |
| Beam Options | | |
| 2.0m | ✓ | ✓ |
| 2.3m | ✓ | ✗ |
| 3.0m | ✗ | ✓ |
| 4.0m | ✓ | ✓ |
| Trolley Options | | |
| Master Link | ✓ | ✓ |
| Close Coupled | ✓ | ✓ |
| Sheave Carrier | ✓ | ✓ |
| Features | | |
| Winch Capable | ✓ | ✓ |
| Foot adjustment [100mm] | ✓ | ✓ |
| Foldable | ✓ | ✓ |
| Transport Wheel | ✓ | ✓ |
| Assembly < 60sec | ✓ | ✓ |
| Finishes | | |
| Anodised | ✓ | ✓ |
| 316SS Fixings | Optional | Optional |
| Marine Spec | Optional | Optional |

PORTAGANTRY ^{RAPIDE} 250-500

- A** Beam length
- B** Beam adjustment
- C** Clear operating span
- D** Height to lifting eye
- E** Height increment
- F** Height to top of beam
- G** Width
- H** Height to top of roller
- J** Folding dimensions



Dimensions (mm)

WLL

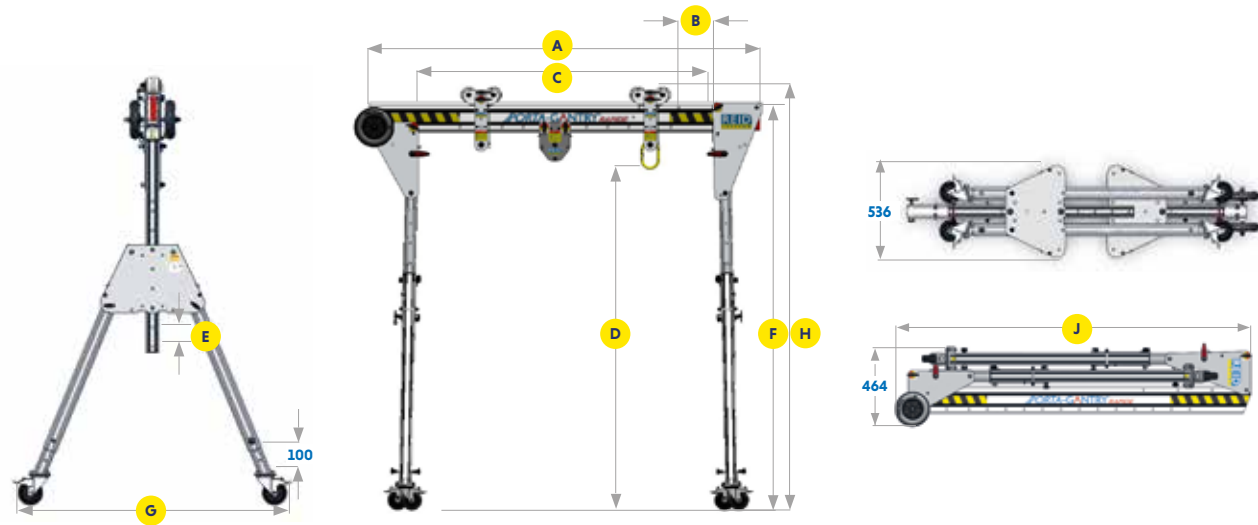
Unit Weight

| | A Beam Length | B | CMin | CMax | DMin | DMax | E | FMin | FMax | G | HMin | HMax | J | Goods Capacity (kg) | Fall Arrest Capacity** No of Person(s) | Personnel Positioning** (kg) | (kg) | | | |
|----------------|---------------------|---------|------|------|------|------|----------|------|------|------|------|------|------|---------------------------|--|------------------------------------|------|---|-----|----|
| PGRS20 | 2000 | 2 x 200 | 1100 | 1500 | 1450 | 2050 | 6 x 100 | 1776 | 2376 | 1158 | 1856 | 2456 | 2080 | 500 | 3 | 250 | 33 | | | |
| PGRS23 | 2300 | 3 x 200 | 1200 | 1800 | | | | | | | | | 2380 | 400 | 2 | 200 | 35 | | | |
| PGRS40 | 4000 | 4 x 200 | 2700 | 3500 | | | | | | | | | 4080 | 250 | 1 | 125 | 40 | | | |
| PGRM20 | 2000 | 2 x 200 | 1100 | 1500 | 1454 | 2154 | 7 x 100 | 1780 | 2480 | 1215 | 1860 | 2560 | 2080 | 400 | 2 | 200 | 35 | | | |
| PGRM23 | 2300 | 3 x 200 | 1200 | 1800 | | | | | | | | | 2380 | | | | 400 | 2 | 200 | 36 |
| PGRM40 | 4000 | 4 x 200 | 2700 | 3500 | | | | | | | | | 4080 | 250 | 1 | 125 | 41 | | | |
| PGRT20* | 2000 | 2 x 200 | 1100 | 1500 | 1928 | 2928 | 10 x 100 | 2254 | 3254 | 1586 | 2334 | 3334 | 2645 | 250 | 1 | 125 | 39 | | | |
| PGRT23* | 2300 | 3 x 200 | 1200 | 1800 | | | | | | | | | 2380 | | | | 400 | 2 | 200 | 40 |
| PGRT40* | 4000 | 4 x 200 | 2700 | 3500 | | | | | | | | | 4080 | | | | 250 | 1 | 125 | 45 |

*Trolley stops fitted to beam **Ratings using European standards. Contact REID for other standards.

PORTAGANTRY RAPIDE® 1000

- A** Beam length
- B** Beam adjustment
- C** Clear operating span
- D** Height to lifting eye
- E** Height increment
- F** Height to top of beam
- G** Width
- H** Height to top of roller
- J** Folding dimensions



Dimensions (mm)

WLL

Unit Weight

| | A Beam Length | B | CMin | CMax | DMin | DMax | E | FMin | FMax | G | HMin | HMax | J | Goods Capacity (kg) | Fall Arrest Capacity** No of Person(s) | Personnel Positioning** (kg) | (kg) |
|------------------|---------------------|---------|------|------|------|------|---------|------|------|------|------|------|------|---------------------------|--|------------------------------------|------|
| PGR1TS20 | 2000 | 2 x 200 | 1102 | 1502 | 1430 | 1930 | 5 x 100 | 1822 | 2322 | 1270 | 1904 | 2404 | 2077 | 1000 | 3 | 500 | 45 |
| PGR1TS30 | 3000 | 3 x 200 | 1902 | 2502 | | | | | | | | | 3077 | 1000 | 3 | 500 | 53 |
| PGR1TS40 | 4000 | 3 x 200 | 1902 | 3502 | | | | | | | | | 4077 | 1000 | 3 | 500 | 58 |
| PGR1TM20 | 2000 | 2 x 200 | 1102 | 1502 | 1740 | 2440 | 7 x 100 | 2061 | 2761 | 1484 | 2143 | 2843 | 2200 | 1000 | 3 | 500 | 49 |
| PGR1TM30 | 3000 | 3 x 200 | 1902 | 2502 | | | | | | | | | 3077 | 1000 | 3 | 500 | 54 |
| PGR1TM40 | 4000 | 3 x 200 | 1902 | 3502 | | | | | | | | | 4077 | 1000 | 3 | 500 | 59 |
| PGR1TT20* | 2000 | 2 x 200 | 598 | 1050 | 1980 | 2880 | 9 x 100 | 2301 | 3201 | 1698 | 2383 | 3283 | 2830 | 1000 | 3 | 500 | 53 |
| PGR1TT30* | 3000 | 3 x 200 | 1417 | 2017 | | | | | | | | | 3077 | 1000 | 3 | 500 | 58 |
| PGR1TT40* | 4000 | 3 x 200 | 2385 | 2985 | | | | | | | | | 4077 | 1000 | 3 | 500 | 62 |

*Trolley stops fitted to beam **Ratings using European standards. Contact REID for other standards.

All information herein is copyright protected by REID Lifting Ltd. All company and product names are Trade Mark and Trade Name protected and all REID Product IPR is protected under Patents, Patents Pending and/or Design Rights.

 Printed using environment friendly processes and materials.

REID Lifting

Unit 1 Wyeview,
Newhouse Farm Ind. Estate
Chepstow, Monmouthshire
NP16 6UD UK

- +44 (0)1291 620 796
- +44 (0)1291 626 490 (Fax)
- enquiries@reidlifting.com
- www.reidlifting.com