



# TDAVIT<sup>®</sup> SHACKLED

Our TDAVIT is lightweight, portable, and can be custom-designed and manufactured to specifically meet our customers' individual needs. Truly pioneering, it offers a lifting capacity of up to 500kg and 360° rotation under a full load.

## Key features

- › EN795:2012 Certified
- › ATEX Certified
- › Can support goods and personnel lifting;
  - › Goods WLL of up to 500kg
  - › Personnel WLL of up to 250kg
- › Can be operated and assembled by one person, no tools required
- › Can be rotated 360° under a full load
- › Designed with a universal kingpin which is compatible for all REID sockets
- › Clean, anodised finish for increased corrosion resistance
- › A variety of attachments for a range of applications
- › Engineered designs and bespoke sections reduce weight, providing lightweight portability

## Configurations

The TDAVIT is available in a range of configurations and can be customised in line with specific requirements (subject to WLL rating).

\*\*Refer to REID for further guidance



500KG  
WLL



1 PERSON  
ASSEMBLY



CUSTOMISED  
& BAGGED



EN795  
CERTIFIED



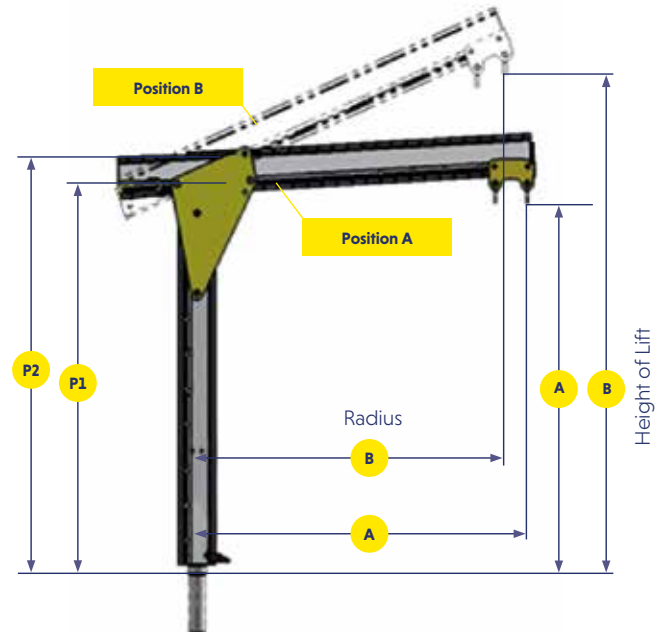
ATEX  
CERTIFIED

## Features & Performance

	BEAM 1	BEAM 2	BEAM 3	BEAM 4
<b>Accreditations, Certifications &amp; Standards</b>				
EN795:2012	✓	✓	✓	×
PD CEN / TS16415:2013	✓	✓	✓	×
AS/NZS 5532:2013	✓	✓	✓	×
ATEX Certified [Zone 2]	✓	✓	✓	✓
ATEX Certified [Zone 1]	Optional	Optional	Optional	Optional
IRATA	✓	✓	✓	×
<b>Capacity</b>				
Maximum Goods Lifting [kg]	500	500	375	300
Maximum Personnel Lifting [kg]	250	250	150	×
Fall Arrest [Persons]	1	1	1	×
<b>Dimensions</b>				
Maximum Reach [mm]	1000	1200	1600	2000
Maximum Height of Lift [mm]	2266	2342	2495	2647
<b>Socket Diameter</b>				
65mm	✓	✓	✓	✓
<b>Socket Options</b>				
Top Mount	✓	✓	✓	✓
Flush Mount	✓	✓	✓	✓
Side Mount	✓	✓	✓	✓
Bridge Mount	✓	✓	✓	✓
Pedestal	✓	✓	✓	✓
Extension Post	✓	✓	✓	✓
<b>Standard Features</b>				
Shackle Lifting points	✓	✓	✓	✓
Component Weight < 25kg	✓	✓	✓	✓
<b>Optional Extras</b>				
Winch Capable	✓	✓	✓	✓
<b>Finishes</b>				
Anodised	✓	✓	✓	✓
316SS Fixings	Optional	Optional	Optional	Optional
Marine Spec	Optional	Optional	Optional	Optional

# TDAVIT® SHACKLED

- A** Position A
- B** Position B
- P1** Height of Pin Position 1
- P2** Height of Pin Position 2



Beam Option	1		2		3		4	
POSITION	A	B	A	B	A	B	A	B
RADIUS [mm]*	850	775	1050	960	1450	1328	1850	1700
WLL [kg]	500		500		375		300	
WEIGHT [kg]	10		11		14		17	

### Height of Lift (HoL) [mm]

Column Option	A	B	A	B	A	B	A	B	Weight [kg]	P1	P2
1	912	1224	912	1300	912	1453	912	1605	20	982	1081
2	1092	1404	1092	1480	1092	1633	1092	1785	21	1162	1261
3	1402	1714	1402	1790	1402	1943	1402	2095	23	1472	1571
4	1717	2029	1717	2105	1717	2258	1717	2410	25	1787	1886
5	2027	2339	2027	2415	2027	2568	2027	2720	28	2097	2196

\*Radii achieved at = 75% WLL

All information herein is copyright protected by REID Lifting Ltd. All company and product names are Trade Mark and Trade Name protected and all REID Product IPR is protected under Patents, Patents Pending and/or Design Rights.

 Printed using environment friendly processes and materials.

#### REID Lifting

Unit 1 Wyeview,  
Newhouse Farm Ind. Estate  
Chepstow, Monmouthshire  
NP16 6UD UK

- +44 (0)1291 620 796
- +44 (0)1291 626 490 (Fax)
- enquiries@reidlifting.com
- www.reidlifting.com